

FIELD BOOK #	FILE	DRAWN BY	EJS	PROJECT #	R00032021
PAGES #	FILE	CHECKED BY	GPR	SHEET #	1 OF 1

MSA

PROFESSIONAL SERVICES
TRANSPORTATION • MUNICIPAL
DEVELOPMENT • ENVIRONMENTAL

CLIENT:
ADAMS COUNTY

PLAT OF SURVEY

LOTS 1 AND 2 OF ADAMS COUNTY C.S.M. NO. 3459
LOCATED IN THE SOUTHWEST QUARTER OF THE SOUTHEAST QUARTER
SECTION 9, TOWNSHIP 17 NORTH, RANGE 6 EAST, TOWN OF ADAMS,
ADAMS COUNTY, WISCONSIN.

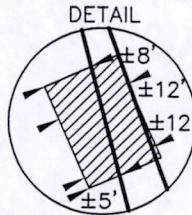
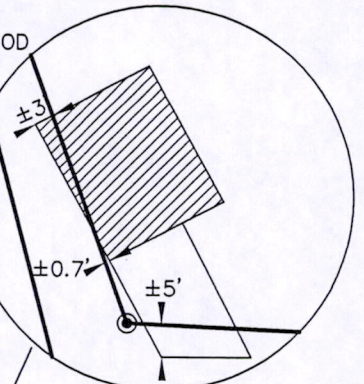


PARCEL 4
C.S.M. No. 2694

PARCEL 4
C.S.M. No. 2694

LOT 1
C.S.M. No. 3459

DETAIL

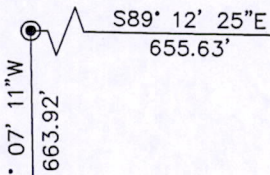


PARCEL 1
C.S.M. No. 2694

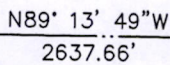
LOT 2
C.S.M. No. 3459

LEGEND

- ⊕ - 2" COUNTY MONUMENT, FD.
- ⊙ - 3/4" IRON ROD, FOUND
- - 3/4" X 18" IRON ROD, 1.5 #/FT., PLACED
- ◆ - FOUND T POST



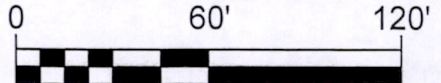
SOUTH QUARTER CORNER
SECTION 9
T.17N, R.6E



SOUTHEAST CORNER
SECTION 9
T.17N, R.6E

THE SOUTH LINE OF THE SE 1/4 OF SECTION 9-17-6
WAS ASSIGNED A BEARING OF N89°13'49"W AS THE
BASIS OF BEARINGS ON THIS MAP.

GRAPHIC SCALE



1 INCH = 60 FEET

SURVEYOR'S SEAL



Gregory P. Rhinehart
MSA PROFESSIONAL SERVICES
GREGORY P. RHINEHART, REGISTERED LAND SURVEYOR, S-1478

12/2/2013

DATE

NOTE: IF THE SURVEYOR'S SEAL AT LEFT IS NOT RED IN COLOR, THE SURVEY
IS A COPY AND SHOULD BE ASSUMED TO CONTAIN UNAUTHORIZED ALTERATIONS.
THE CERTIFICATION CONTAINED ON THIS DOCUMENT SHALL NOT APPLY TO COPIES.

PO509170641001