

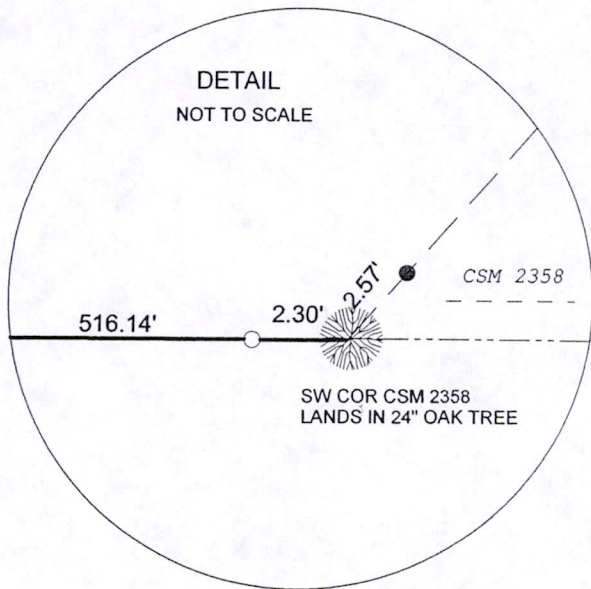
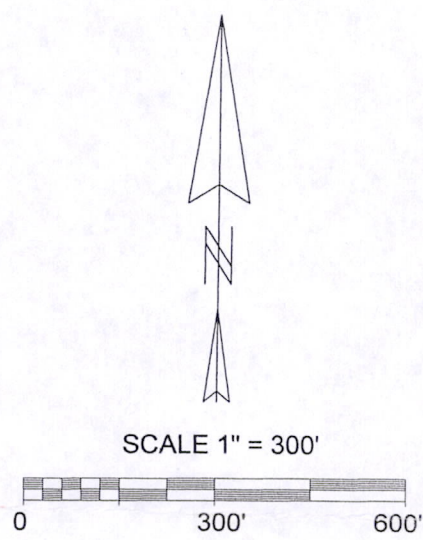
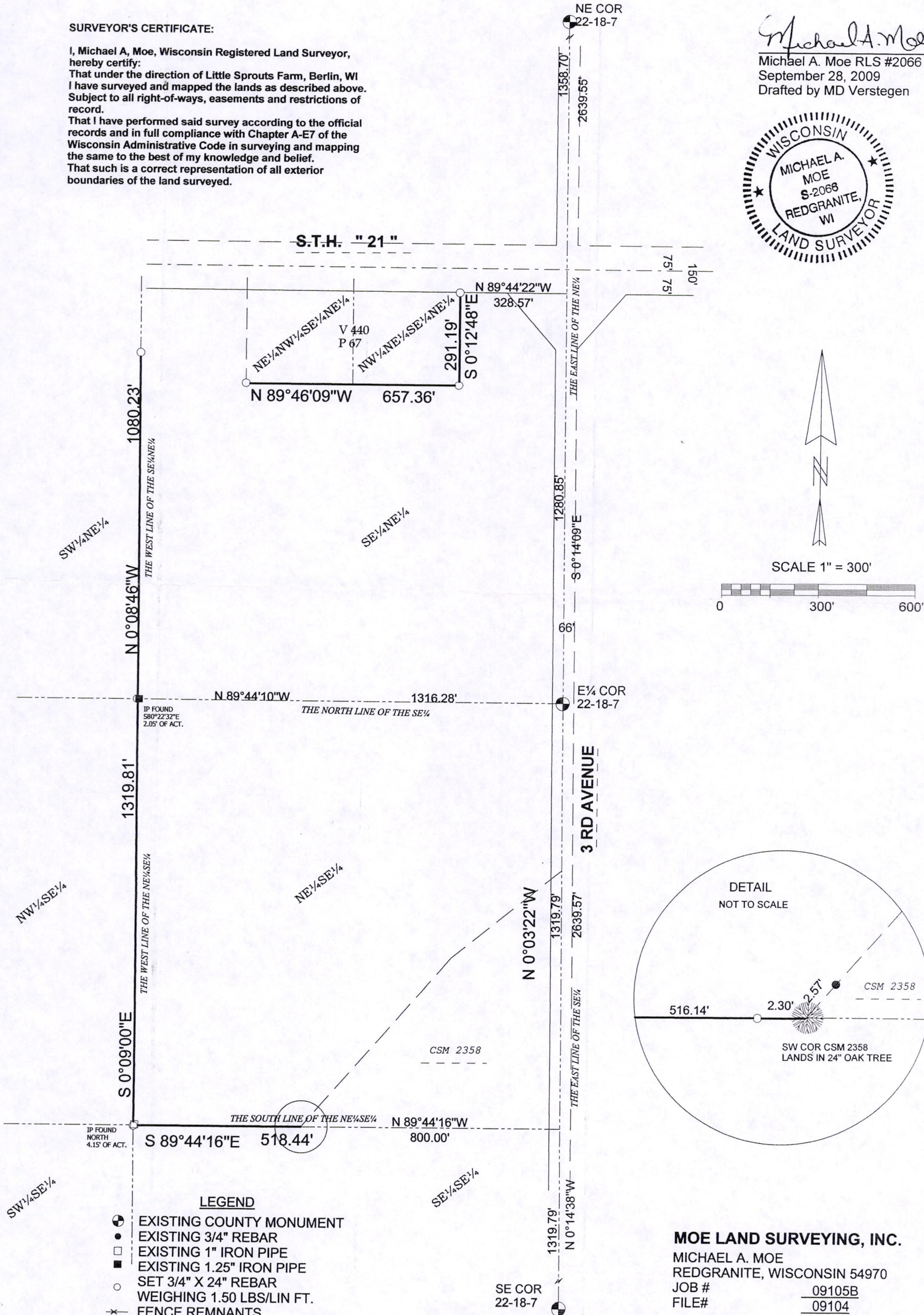
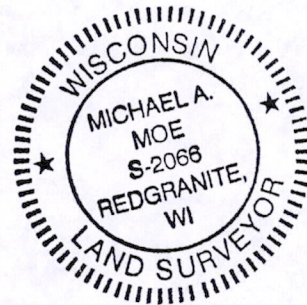
PLAT OF SURVEY

THE WEST LINE OF THE NE $\frac{1}{4}$ SE $\frac{1}{4}$, AND PART OF THE SOUTH LINE OF THE NE $\frac{1}{4}$ SE $\frac{1}{4}$, AND PART OF THE WEST LINE OF THE SE $\frac{1}{4}$ NE $\frac{1}{4}$, AND THE SOUTH AND EAST LINES OF VOLUME 440 PAGE 67 LYING SOUTH OF S.T.H. " 21 ", SECTION 22, T.18N., R.7E., TOWN OF RICHFIELD, ADAMS COUNTY, WISCONSIN.

SURVEYOR'S CERTIFICATE:

I, Michael A. Moe, Wisconsin Registered Land Surveyor, hereby certify:
 That under the direction of Little Sprouts Farm, Berlin, WI I have surveyed and mapped the lands as described above. Subject to all right-of-ways, easements and restrictions of record.
 That I have performed said survey according to the official records and in full compliance with Chapter A-E7 of the Wisconsin Administrative Code in surveying and mapping the same to the best of my knowledge and belief.
 That such is a correct representation of all exterior boundaries of the land surveyed.

Michael A. Moe
 Michael A. Moe RLS #2066
 September 28, 2009
 Drafted by MD Verstegen



- LEGEND**
- ⊕ EXISTING COUNTY MONUMENT
 - EXISTING 3/4" REBAR
 - EXISTING 1" IRON PIPE
 - EXISTING 1.25" IRON PIPE
 - SET 3/4" X 24" REBAR
 - WEIGHING 1.50 LBS/LIN FT.
 - ✕ FENCE REMNANTS

MOE LAND SURVEYING, INC.
 MICHAEL A. MOE
 REDGRANITE, WISCONSIN 54970
 JOB # 09105B
 FILE# 09104

Pos 22-18-7 180711001