

ADAMS COUNTY

Survey Monument Record

TYPE OF MONUMENT: Concrete Monument

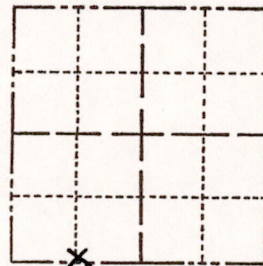
STATE PLANE COORDINATES: N \_\_\_\_\_  
E \_\_\_\_\_

ELEVATION — M.S.L. DATUM: \_\_\_\_\_

THETA ANGLE: \_\_\_\_\_

FIELD BOOK: \_\_\_\_\_ PAGE \_\_\_\_\_

CORNER NO. NONE  
SECTION 27  
TOWN 20  
RANGE 5



LOCATION  
(Indicated by 'X')

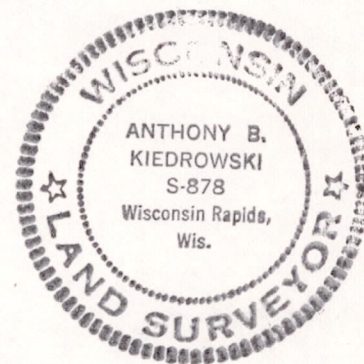
SEAL:

BASIS FOR MONUMENT LOCATION

(Use reverse side if necessary)

Show info such as: History of corner, with reference to Vol. and pg, dates, surveyor; exact description of monument replaced; if location computed, by taped or EDM traverse; landowner remarks, etc.

Concrete monument found as set in survey of Amundson Subdivision.



CERTIFIED CORRECT:

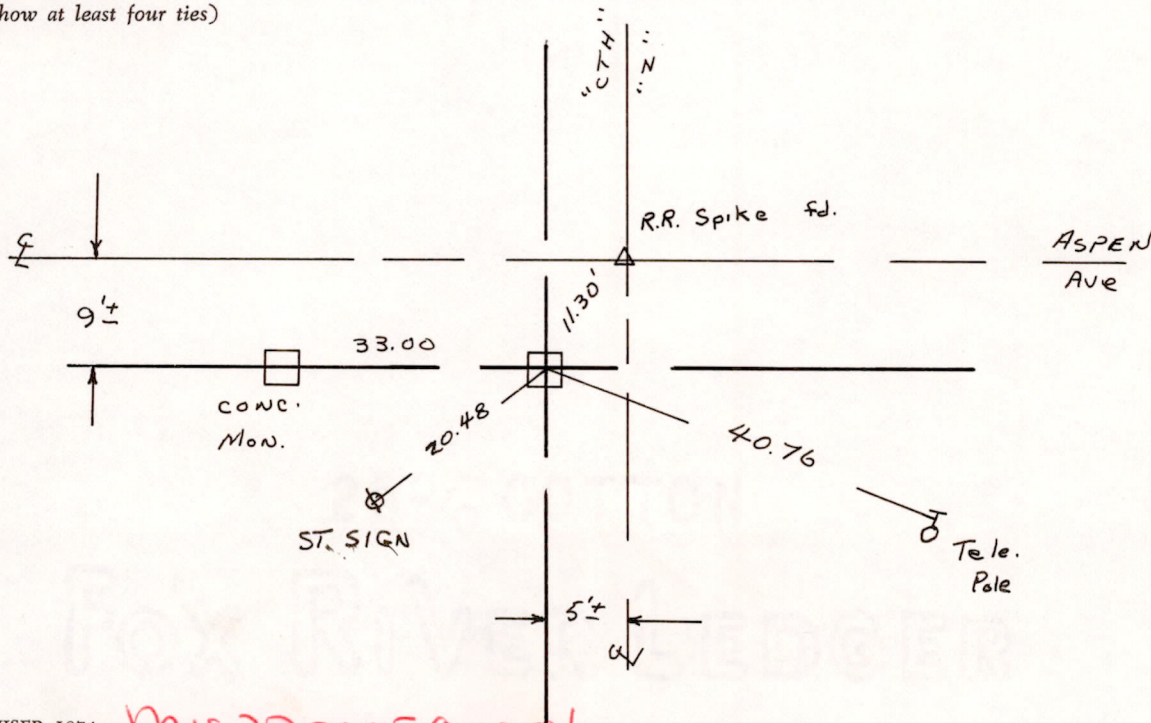
*Anthony B. Kiedrowski*  
Registered Land Surveyor

DATE: July 30, 1974

TIE SKETCH

All ties to nail and disc.

(Show at least four ties)



*Mis 27200500004*