

23
SECTION

15
TOWN

07
RANGE

ADAMS COUNTY

COUNTY CORNER NO: 90

ROMPORTOL ID: 41507230020

PUBLIC LAND SURVEY MONUMENT RECORD

TYPE OF MONUMENT: HARRISON
ADAMS COUNTY COORDINATES, NAD 83 (2007)

N. 143516.004

E. 580978.730

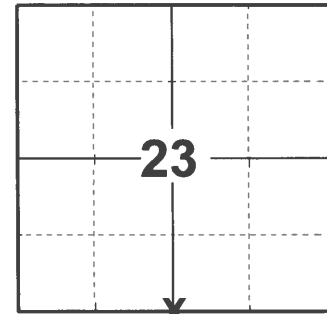
ELEVATION: DATUM

FIELD WORK DATE: 04/05/2021

BASIS FOR MONUMENT LOCATION

1973 - PLS 878 SET HARRISON MONUMENT ON A STRAIGHT LINE EQUIDISTANT BETWEEN SECTION CORNERS.

2021 - PLS 2675 FOUND HARRISON MONUMENT 2" ABOVE GROUND SURFACE AND 3 WITNESSES. THE MONUMENT AGREES WITH ALL WITNESS TREES. ACCEPTED THE HARRISON MONUMENT AS THE CORNER LOCATION. SET 4 NEW TIES AND MEASURED TO THE EXISTING WITNESS TREES.



LOCATION

(INDICATE CORNER BY "X")

SEAL:



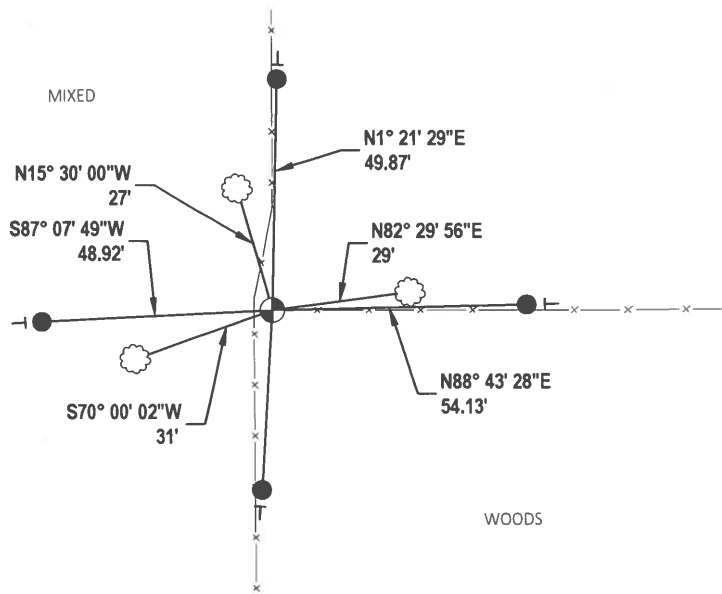
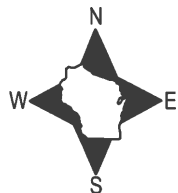
DATA SHOWN HERE ON THIS TIE SHEET IS CORRECT AND COMPLETE TO THE BEST OF MY KNOWLEDGE AND BELIEF.

PROFESSIONAL LAND SURVEYOR

DATE 5/19/21

TIE SKETCH

NOTE: MONUMENT LANDS ON FENCELINE.



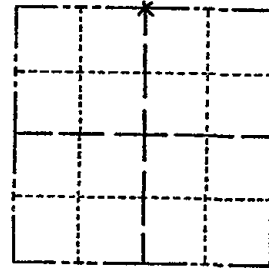
- SET 3/4" x 18" IRON REBAR, 1.50#/FT
- ⊕ FOUND HARRISON MONUMENT
- ⊥ VINYL "T" POST
- ☁ WITNESS TREE

ADAMS COUNTY

Survey Monument Record

TYPE OF MONUMENT: Harrison standard
 STATE PLANE COORDINATES: N _____
 E _____
 ELEVATION — M.S.L. DATUM: _____
 THETA ANGLE: _____
 FIELD BOOK: 107 PAGE 65

CORNER NO. 237
 SECTION 26
 TOWN 15
 RANGE 7



LOCATION
(Indicated by 'X')

SEAL:



BASIS FOR MONUMENT LOCATION

(Use reverse side if necessary)

Show info such as: History of corner, with reference to Vol. and pg. dates, surveyor; exact description of monument replaced; if location computed, by taped or EDM traverse; landowner remarks, etc.

Set on a straight line equidistant between section corners.

Corner & ties O.K. 10-29-76 RN-SS

MAINTENANCE RECORD

Date	Init.	Remarks
12-30-81	TH-NJ	MONUMENT TIES O.K.
3-26-86	GR-SS	" " "
5-8-91	JG-SS	1 NEW TIE
4-3-94	JG-SS	OK
7-02-01	JG-MH	OK
8-7-06	JG	OK
12-21-11	MS	OK

CERTIFIED CORRECT:

Anthony B. Kiedrowski
 Registered Land Surveyor

DATE: 2-22-73

TIE SKETCH

(Show at least four ties)

